



TECTONIC LED CORP.

ISO 9001:2000 Products RoHS Compliance
Tel.: (626)246-4120 | (626)893-3345 Fax.: (909)868-0208
sales@tectonicled.com info@tectonicled.com
http://www.tectonicled.com | http://www.tectonicusa.com

High power LED underwater light (Stainless steel)

This is high power stainless steel underwater light and it has concise and beautiful shape. It is widely used in fountain pool, theme park or other underwater projects. The mixture of R,G, B colors can bring colorful and magnificent view to beautify the environment and light the city.

We use stainless steel as the outside shell material and it has good protection to make the light to be waterproof IP68. The light has a bracket, by which you can adjust the angle and position to give the best light projection. The RGB light has 4 wires and it need to connect with RGB controller to get different color changes. The light has excellent light effects and long lifespan.



For indoor and outdoor use

Specification Parameter:

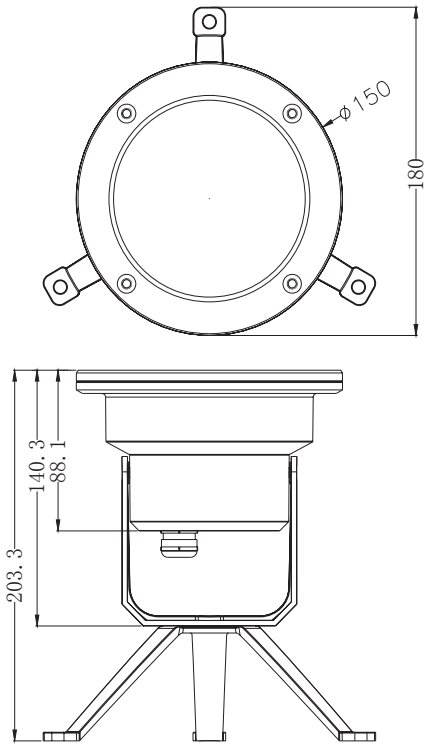
Item No.	TUW1005	TUW1006	TUW1007	TUW1008
Rate working voltage (V)	DC24V			
Max Power (W)	18.7W	21W	21.5W	27W
Control way	RGB underwater light need work with 4-wire and 3-loop controller or multi function RGB controller, single color underwater light does not need work with controller and it can light up directly once connecting with power.			
Standard lens	25° /45°			
Light source	7*3w single color	7* (3 in 1RGB)	9*3w single color	9* (3 in 1RGB)
Standard length of connection wire	13 meters			
IP Rank	IP68			
Net Weight (kg)	2.77 kg			
Shell Material	304 stainless steel			



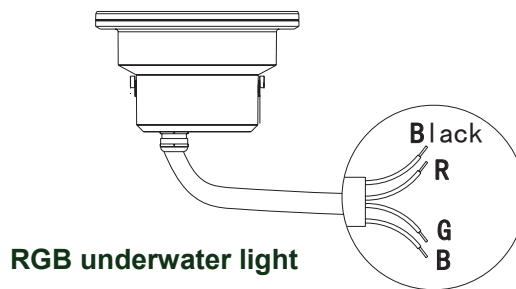
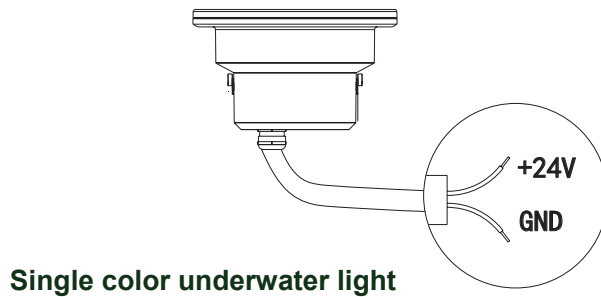
TECTONIC LED CORP.

ISO 9001:2000 Products RoHS Compliance
 Tel.: (626)246-4120 | (626)893-3345 Fax.: (909)868-0208
 sales@tectonicled.com info@tectonicled.com
 http://www.tectonicled.com | http://www.tectonicusa.com

External dimension:

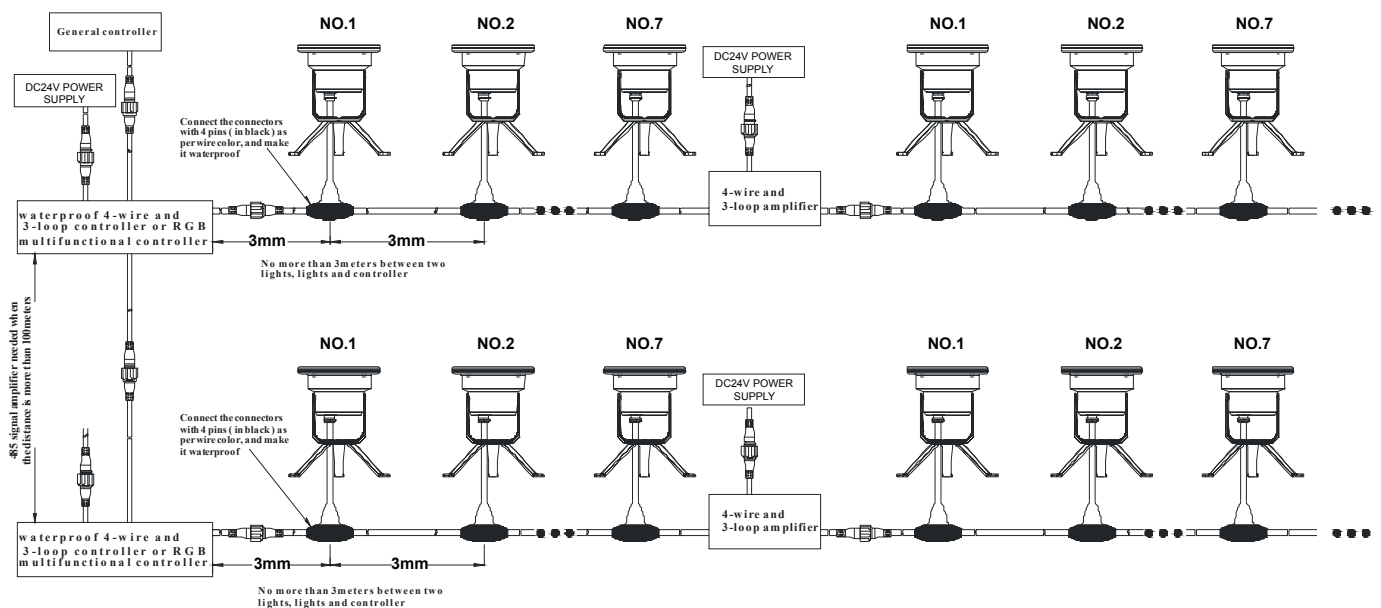


Installation Instruction:



The product connection diagram

Method A: Master control by DMX controller

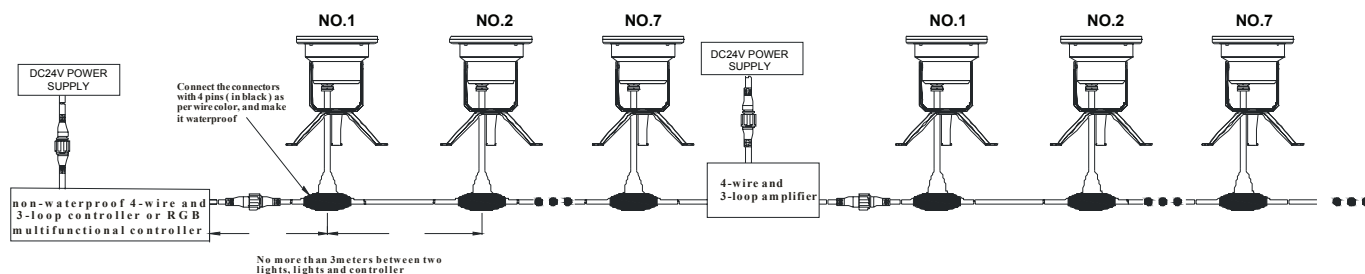




TECTONIC LED CORP.

ISO 9001:2000 Products RoHs Compliance
Tel.: (626)246-4120 | (626)893-3345 Fax.: (909)868-0208
sales@tectonicled.com info@tectonicled.com
http://www.tectonicled.com | http://www.tectonicusa.com

Method B: control by RGB remote controller



control method

RGB underwater light need to work with our DMX controller or 4-wire and 3-loop controller (please refer to the instructions for more information). About the 4-wire and 3-loop controller with remote, you can select 13 patterns. About DMX controller, you can set DMX address for each controller and give signal to lights to achieve brightness of R, G, B. While please note that there is a limit for the driving capacity of controller and the cable. For example, one pc DC 24V 8A controller can drive 192W (24V*8A) underwater lights for the max. While for the 27W RGB underwater light, one pc controller can drive 7pcs at most. If you want to connect more pieces lights, RGB amplifier is necessary.

Power supply

The total power of controller or amplifier multiplying by safety coefficient can get the total power of the power supply for driving the underwater lights. (If the number of power is not common number for output, then you can choose the similar number of power output for the power supply)

Installation Instruction:

- Make sure the shell of power supply connect to the earth.
- The controller and power supply should work in ventilated and dry environment.
- Please confirm that there is no short-circuit for the input and output cables. The inner parts of controller can be burnt once the light be connecting with power with short-circuit.

Marks:

- The power must be turned off before installing or taking down the lamp.
- Please replace with a new one if the light body is broken.
- The underwater light can only be used underwater and the continuous time for lighting outside water can not exceed half an hour.



TECTONIC LED CORP.

ISO 9001:2000 Products RoHs Compliance
Tel.: (626)246-4120 | (626)893-3345 Fax.: (909)868-0208
sales@tectonicled.com info@tectonicled.com
http://www.tectonicled.com | http://www.tectonicusa.com

Warning

- Please do not connect power supply when the light is still in a box.
- Please do not connect high voltage before the installation, and make sure that the fixture connects the earth.
- Change the protection cover completely once it's broken.
- Pay attention to anti-fire, anti-electricity and anti-shake

Notices



- Caustic or dissolvent chemicals may damage the protection crust.
- Normal working temperature: $-20^{\circ}\text{C} \sim +45^{\circ}\text{C}$, humidity : 0~95%, storage temperature $-35\sim 70^{\circ}\text{C}$. Depth of water: 0-2M. Please keep the product within these conditions, or it will affect the lifespan of the lamp.
- Please note that we are not responsible for the effects caused by components not being from our company.

Solutions for common troubles

- If the light can not light up, please check whether the power is on and whether the switch is on.
- If the light is on and off continuously, please check whether power supply is loose or not connecting well.

Note: If all the solutions can not solve the trouble and light up the light, please do not take down the light privately, you need ask professionals to do the maintenance work.

* Please contact the supplier about the related product information, like maintenance, if there are changes, we do not make further notice.

* Any details are not clear about this manual, please contact the professional engineers to help.