



TECTONIC LED CORP.

ISO 9001:2000 Products RoHs Compliance

Tel.: (626)246-4120 | (626)893-3345 Fax.: (909)868-0208 | info@tectonicled.com | http://www.tectonicled.com

Phantom 18W LED PAR38 E27

The Phantom Series LED Spotlights

Base: E27 Screw-in

Material: Aluminum

Voltage: AC100~240V

LED: HCC/Semileds High-Power LED

Luminous Flux: 900 lm for cool white
720 lm for warm white



Phantom 10W LED PAR30 E27

Base: E27 Screw-in

Material: Aluminum

Voltage: AC100~240V

LED: 7x1 High-Power 1Watt LED

Luminous Flux: 550 lm cool white
450 lm warm white



Phantom 7W E27 Globe Ball Bulb G60 A19

Base: E27 (E26 Optional)

Housing material: Aluminum

Dimension: 60 mm (D) x 107 mm (H)

LED: 7x1 Watt High-Power LED

Voltage: AC110V or 220V



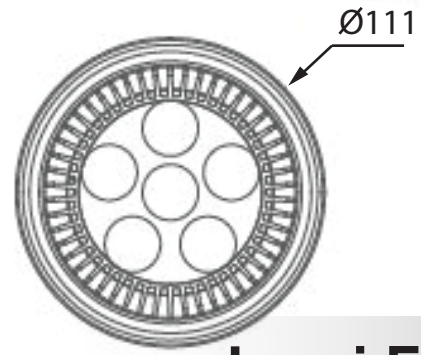
CCT: 5000K to 3000K

CRI: >75 to >80

Lumi. Flux (lm): 560 to 450

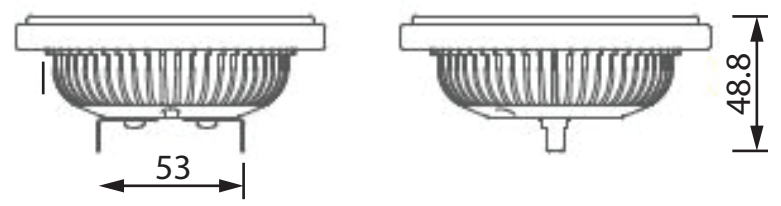
Phantom 11W LED AR111 G53

Housing heat sink: aluminum
LED: 6x Semileds High Power LED
Holder/Socket: G53
Beam angle: 18/32 degree
Driver voltage input: AC12V



Unit: mm
Weight: 200g

Lumi.Flux (lm): 800 to 700



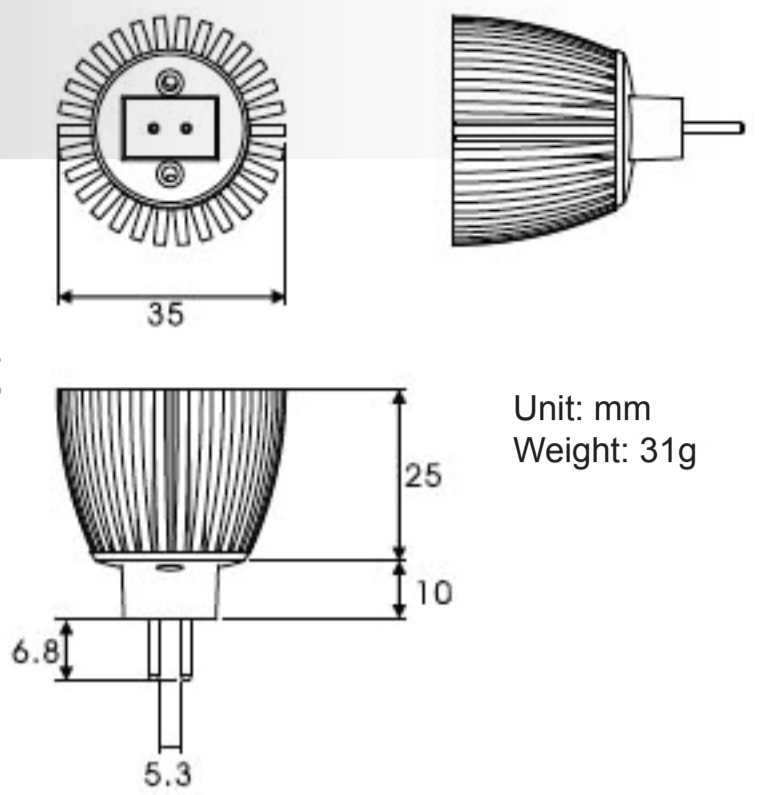
CCT: 6000K to 3000K **CRI: >75 to >80**

Fit to halogen AR111 fitting/fixture

Phantom 3W MR11 CREE LED



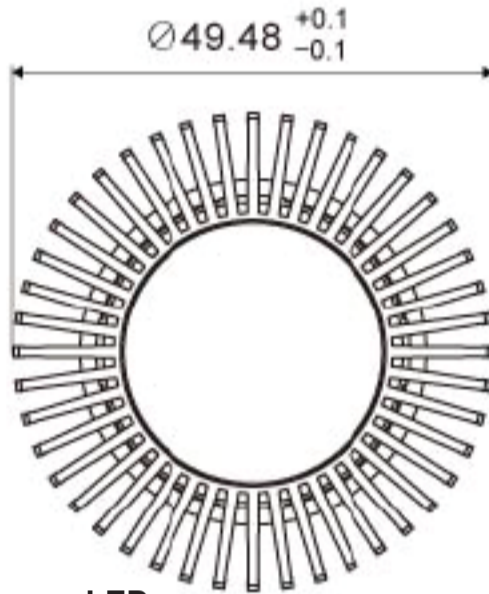
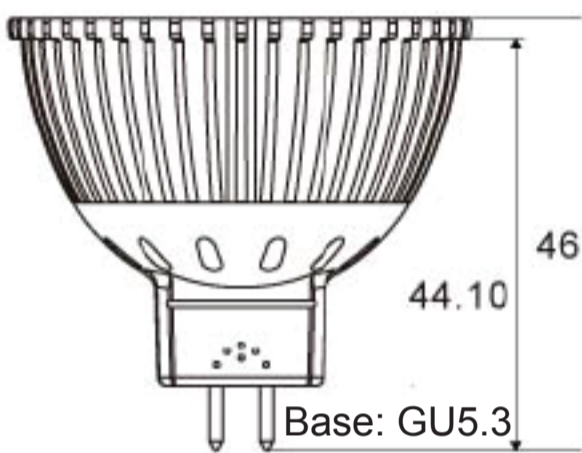
The Phantom 3Watt MR11 with CREE XLamp LED



Unit: mm
Weight: 31g

Phantom 5W MR16 CREE LED

Voltage: AC/DC 10~14V
Beam angle: 30°



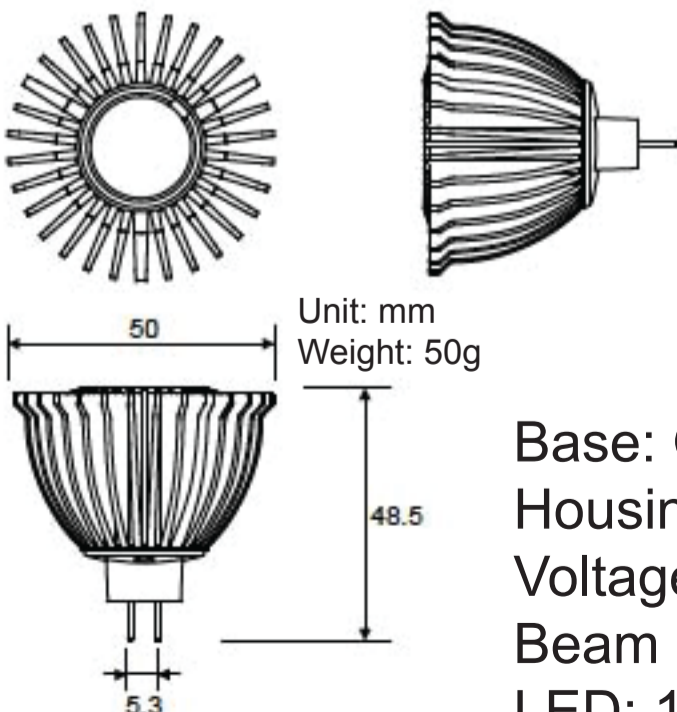
Housing material: Aluminum | LED: 3x CREE XLamp LED
CCT: 5000K to 2800K | CRI: >75 to >80 | Lumi.Flux (lm): 300 to 250

Phantom Dimmable 5W MR16 GU5.3

Base: GU5.3
Material: Aluminum
Voltage: AC/DC12V
Dimension: D50 mm x L49 mm
Beam angle: 40 degree
(15/60 degree are optional)
Best Performance/Price ratio



Phantom 6W MR16 CREE MC-E LED 400 Lumen



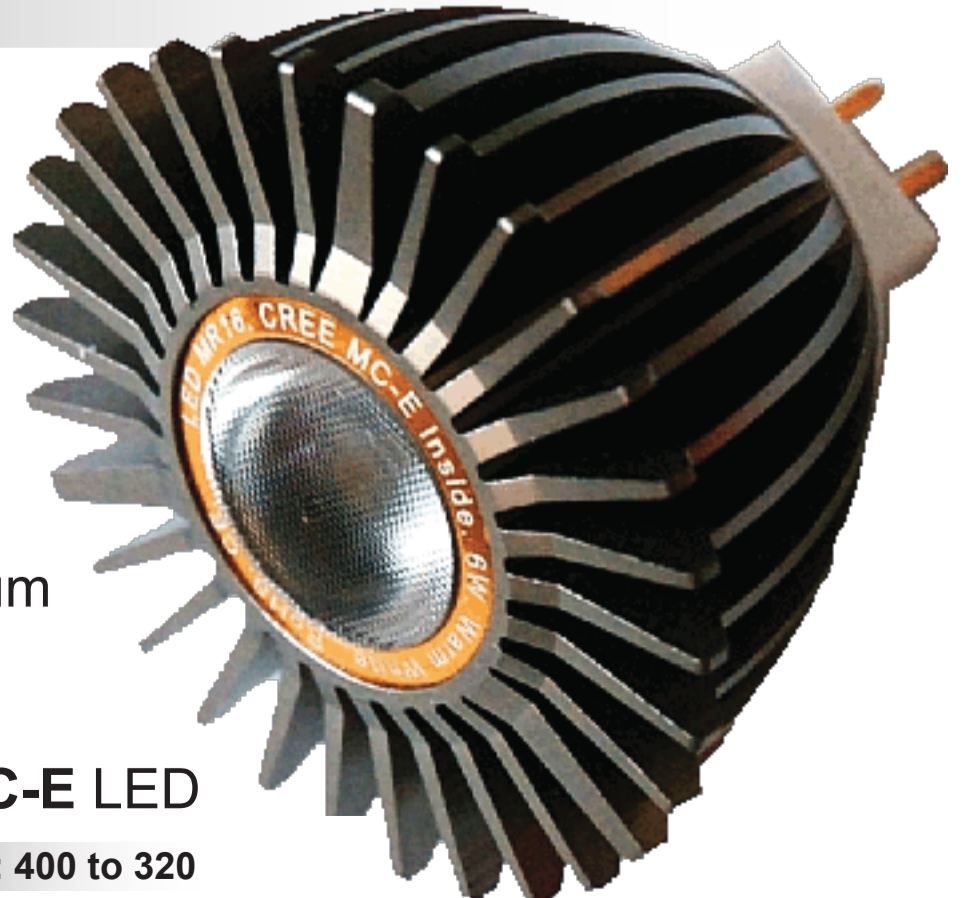
Unit: mm
Weight: 50g



CREE MC-E
SMD LED Inside

Base: GU5.3
Housing material: Aluminum
Voltage: AC/DC 10~14V
Beam angle: 38°/25°
LED: 1x CREE XLamp MC-E LED

CCT: 5500K to 2800K | CRI: >75 to >80 | Lumi.Flux (lm): 400 to 320



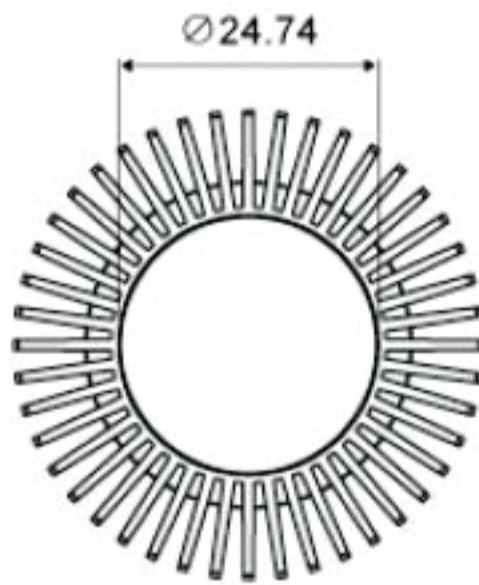
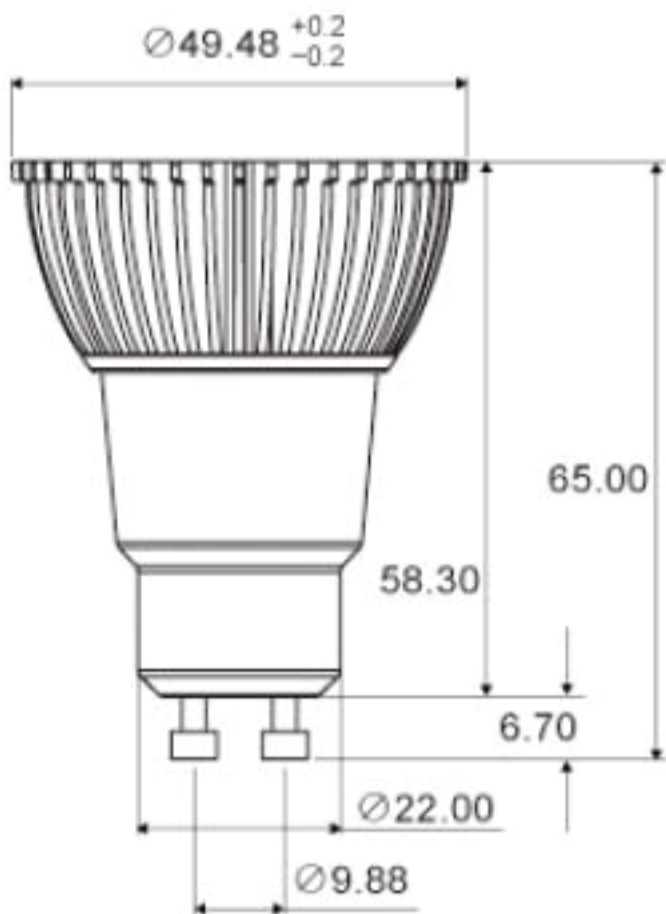
Phantom 5W GU10 CREE LED

Base: GU10
 Housing material: Aluminum
 Voltage: AC100~240V
 LED: 3x CREE high-power XLamp LED
 Beam angle: 30°
 Lumi.Flux (lm): 280 to 230



CCT: 5000K to 2800K

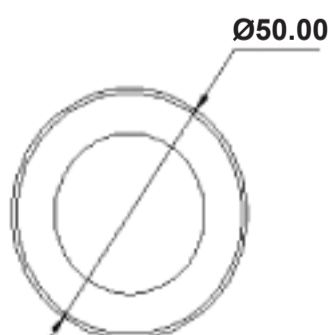
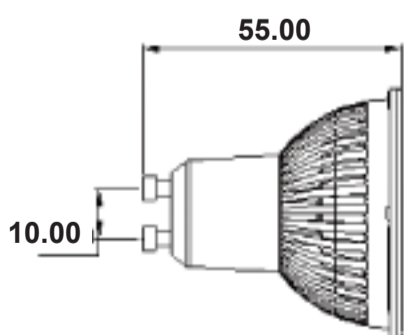
CRI: >75 to >80



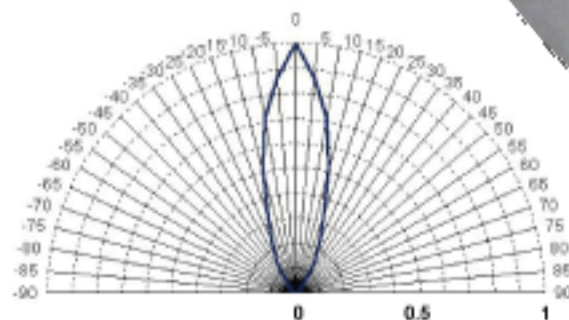
High CRI (Color Rendering)
 Uniform Light Pattern
 No UV/IR

Phantom 5W GU10 Nichia LED

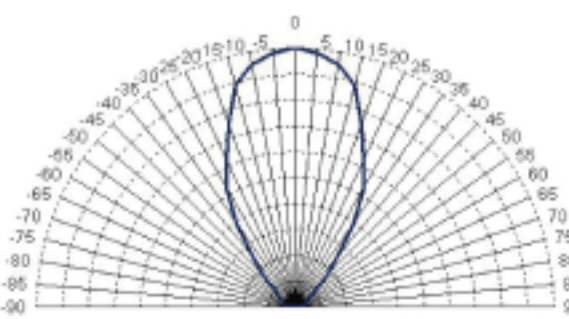
Base: GU10
 Housing material: Aluminum
 Dimension (mm): 50 (D) x 55 (L)
 Voltage: AC100~240V
 LED: 3x high power LED (Nichia, Japan)
 Beam Angle: 30°



Unit: mm



Beam Angle: X-Y Direction: -30



Beam Angle: X-Y Direction: -60

CCT: 5000K to 2800K

CRI: >75 to >80

Lumi.Flux (lm): 280 to 230

Phantom LED 3W E14 Candle Bulb

Base: E14 screw

Wattage: 3W

Voltage: AC100~240V

LED: PLCC 5050

CW 180 lm, WW 150 lm

Cover: Glass, Fully frost or partial frost

Heat sink: Aluminum



270 degree wide
light pattern

Phantom LED 2.5W E14 Candle Bulb

Base: E14 screw

Wattage: 3W

Voltage: AC100~240V

LED: PLCC 5050

CW 180 lm, WW 150 lm

Cover: Glass, Fully frost or partial frost

Heat sink: Aluminum

