



TECTONIC LED CORP.

ISO 9001:2000 Products RoHs Compliance
Tel.: (626)246-4120 | (626)893-3345 Fax.: (909)868-0208 |
<http://www.tectonicled.com> | info@tectonicled.com

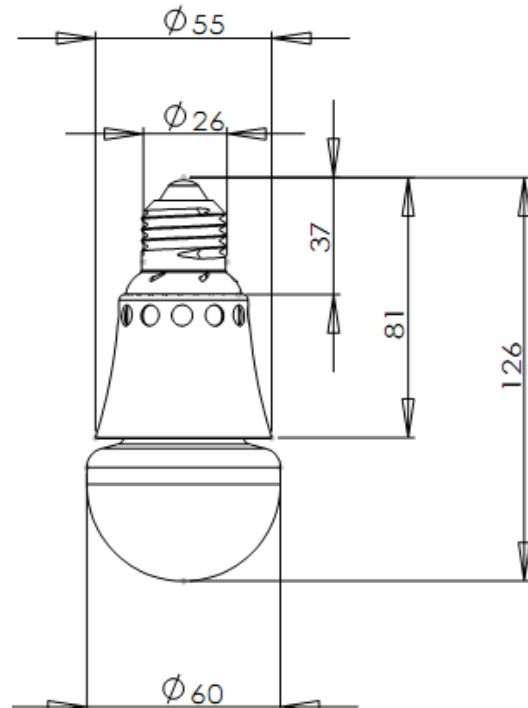
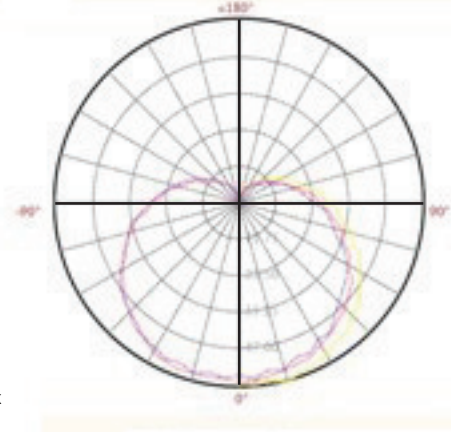
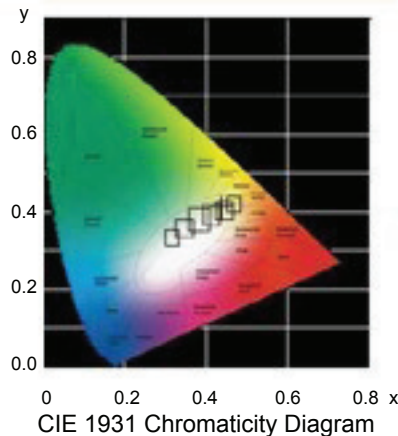
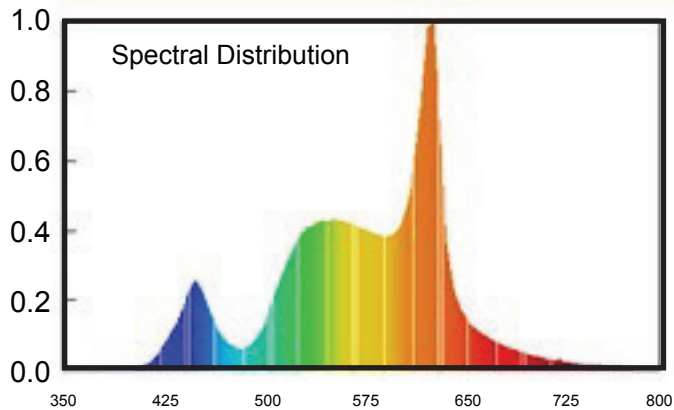
The TECTONIC M-Series LED retrofit lamp suitable for commercial and residential application. Replaces CFL and incandescent lamps. Gives warm light to create the optimum ambiance. Suitable for indoor use throughout your home as well as restaurants, hotels and many commercial settings.



Product Benefit and Features

- Warm, pleasant light, very close to incandescent light.
- Replace 60w incandescent or 13w CFL, energy efficient.
- High light output.
- Long lifetime up to 5000hrs.
- Recyclable, No leads or Mercury contains.

Typical Radiation and Spectrum : TSML-300-6WN20



Electrical Data

Item	Min.	Typical	Max
Operating Voltage(V)	90	110/220	260
Operating Current(mA)	\	100	130
Power (W VI)	\	6	\
Power Factor(PF)	0.55	0.6	0.65
Power efficiency(%)	75	80	85
Current Accuracy(%)	\	±5	\
Voltage Wave (V)	0.1	0.2	0.3

Optical Data

ITEM	DATA
Luminous Flux	≥450Lm (1000hrs)
Luminous efficacy	≥68Lm/W
Color Temperature	3000K
Color Rendering Index	≥85
Luminous Flux efficacy	3000hrs 96%
	6000hrs 92%
	10000hrs 86%
Output efficacy	≥88%

Operating Conditions

Item	Data
Operating Temperature	-20°C-45°C
Storage Temperature	-40°C-85°C
Suitable Humidity	≤90%
MBTF	35000 hrs
Outsize	60mm * 126mm
Base	E26/E27
Weight	113g
Recommend Height	3m



TECTONIC LED CORP.

ISO 9001:2000 Products RoHS Compliance

Tel.: (626)246-4120 | (626)893-3345 Fax.: (909)868-0208 | info@tectonicled.com | http://www.tectonicled.com

Pharox OEM Product images and Packaging

TSML-300-6W BULB (Dimmable/not Dimmable)

Heat Sink Design LED Mould



OEM Packaging

LEMNIS PHAROX 300-6W BULB
(Dimmable) Rated voltage: 230V

LEMNIS PHAROX 200-5W BULB
(Not Dimmable)



* Note: Copyright and pictures belongs to Lemnis original brand - the pack and product image was imported from Leminis