



TECTONIC LED CORP.

ISO 9001:2000 Products RoHs Compliance

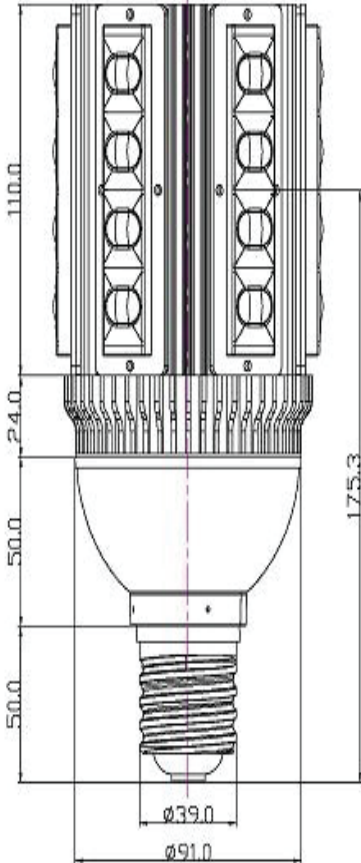
Tel.: (626)246-4120 | (626)893-3345 Fax.: (909)868-0208 | info@tectonicled.com | http://www.tectonicled.com

E40 Corn Cub NEO Solux Series

The Tectonic NEO Solux E40 Corn cubs replaces Metal Halogen Lamps or High Pressure Solidum Vapour Lamp 80 to 400W



Light source: Cree, Bridgelux, Semi.
Housing Material: Aluminium, ABS, Plastic, Silica Gel, Copper



Power Watts: 24, 30, 36, 48, 54, 60, 66 & 72Watts

Power Factor: >0.95

Beam Spread : 360°

Luminous Flux: 110 ~ 115lm Per LED

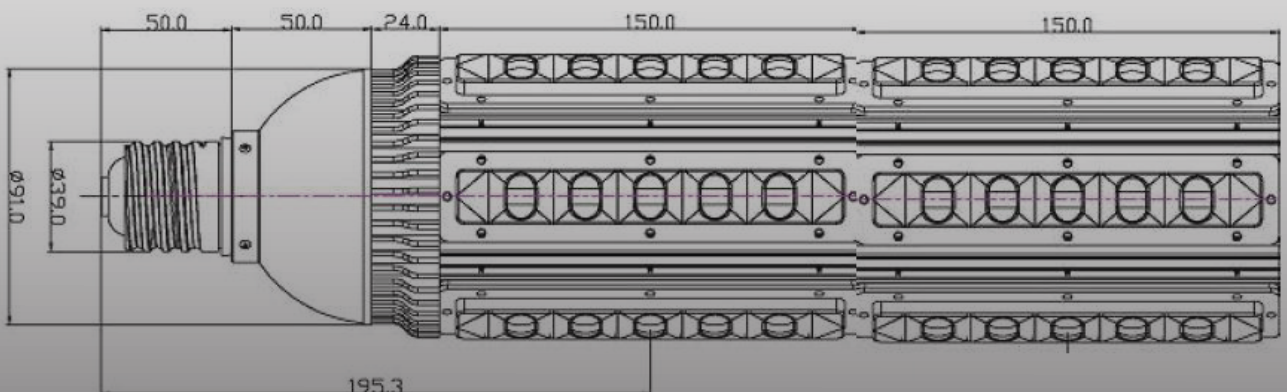
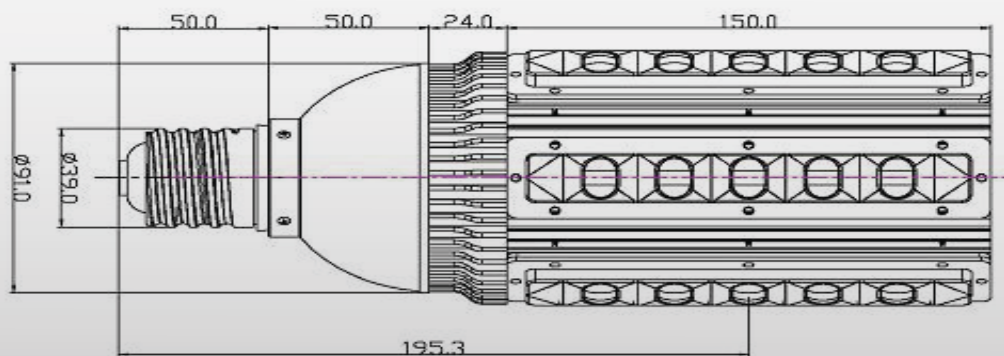
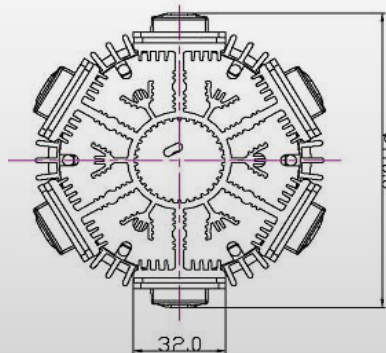
Color Temperature: 2700 to 7000Kelvin

Voltage: AC85-265V, 220-277V, 277V-300V
DC12V, 24V

Life Span: 50,000 Hours

Lamp Base: E40 / E27 (Mogul) size fixtures

Dimensions: 4.33" (110mm) diameter, 11.22" (285) Length





TECTONIC LED CORP.

ISO 9001:2000 Products RoHs Compliance

Tel.: (626)246-4120 | (626)893-3345 Fax.: (909)868-0208 | info@tectonicled.com | http://www.tectonicled.com

E40 Corn Cub NEO Solux Series

Available in
36W, 48W,
54W, 60W

This High Power LED light fits standard E40 / E27 size fixtures. It can handle a wide range of input voltages, from 85V to 265V AC. It is also available for 12V or 24V AC/DC suitable for solar-powered installations.

The Tectonic NEO Solux E40 Corn cubs replaces Metal Halogen Lamps or High Pressure Solidum Vapour Lamp 80 to 400W

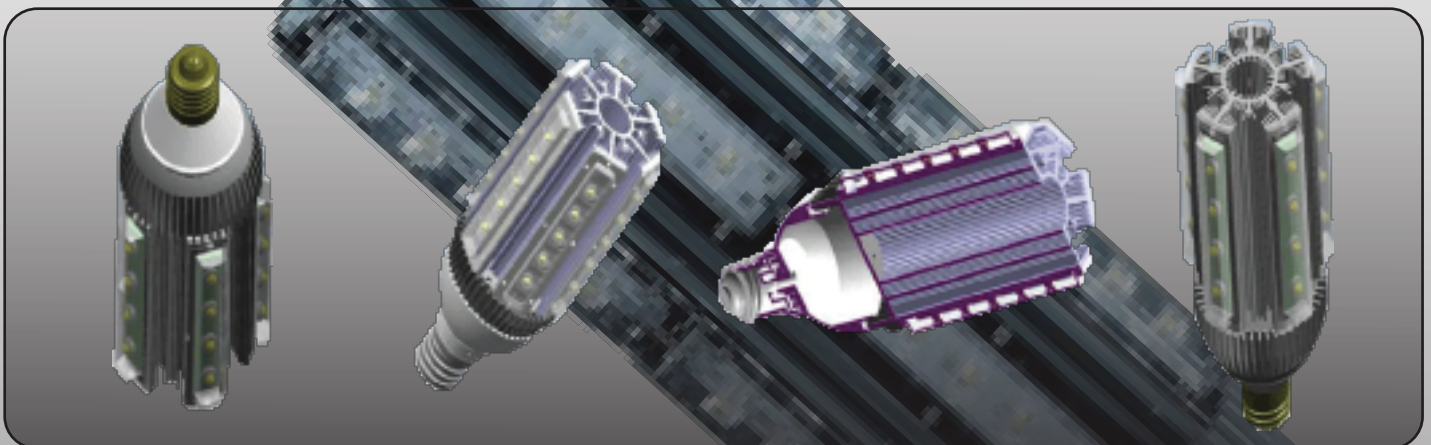


E40 BASE



E27 BASE

Tectonic NEO Solux Corn Cub uses extremely efficient 1W High Power LED. Compared to traditional HID lamps, the high quality of the LED light (CRI >75) allows much clearer, brighter colors. The LED light source combined with superior optics yields a 70% saving over your more conventional sodium or mercury lamps. Round design body focuses the light into 360 degrees. The precise light distribution pattern significantly reduces light pollution.



The NEO Solux Corn Cub lamp is virtually unbreakable, and has an expected life of 50,000 + hours which is 10 times longer than traditional light sources. The LEDs emit no UV or IR to cause aging or yellowing of lenses or fixture covers. Requires no noisy, energy-wasting ballast. No warm-up time, lights up immediately.

- Beam Angle: 360 degree, replacement for CFL with E40 screwed lamp socket directly.
- 3.80% more energy saving compared with conventional street light, CFL, Incandescent light.
- Pure white color/Warm white color, high CRI with great directionality. Fast turn on, no warm-up
- Solve 4 difficulties for LED packaging, heat sinking, operational lifespan, luminous efficiency
- Special surface design with arc, make sure the radiation diameter on the ground is accord with the standards for size.



Tectonic LED provides UL listed, high efficiency LED Lighting solutions for a variety of government, industrial, and commercial applications

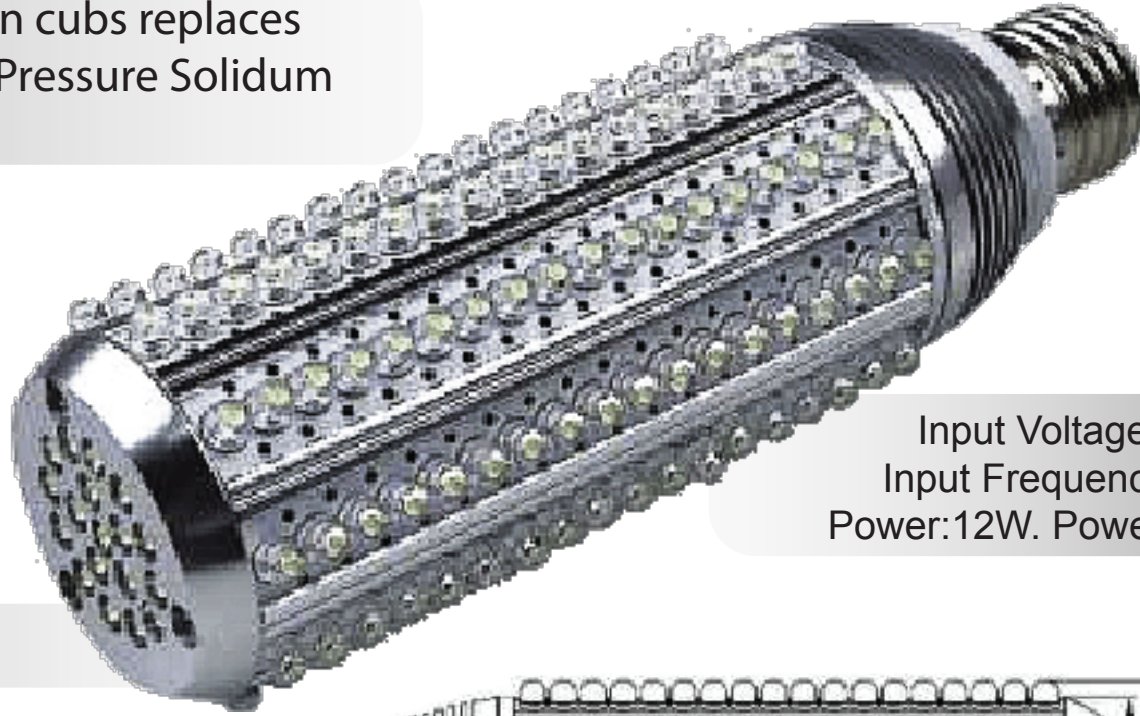
Solux Arc E40 LED Corn Cub

Solux Series

Product	Image	Model	Description
E40 CORN CUB 5W 600Lm Aluminium		TSOLUX-5A1	Luminous Flux: 600 Lm. Color Temp: 2800~6500 Kelvin 5Watt, Base: E40/E27/E14 277V, 2700 to 6700 Kelvin, Beam angle: 360° Work Temp: <70°C Color Index: 75Ra Rec. Replace Bulb: 60W CFL
E40 CORN CUB 7W 700Lm Aluminium		TSOLUX-7A2	120 LED's, Luminous Flux: 700 Lm. Color Temp: 2800~6500K. 7Watt, Base: E40/E27/E14 277V, Beam angle: 360° Work Temp: <70°C Color Index: 75Ra. Rec. Replace Bulb: 80W CFL
E40 CORN CUB 12W 1200Lm Aluminium		TSOLUX-12A3	200 LED's, Luminous Flux: 1200 Lm. Color Temp: 2800~6500K. 12Watt, Base: E40/E27/E14 277V, Beam angle: 360° Work Temp: <70°C Color Index: 75Ra. Rec. Replace Bulb: 100W CFL
E40 CORN CUB 25W 2400Lm Aluminium		TSOLUX-25A4	120 HP LED's, Luminous Flux: 2400 Lm. Color Temp: 2800~6500K. 25Watt, Base: E40/E27/E14 277V, Beam angle: 360° Work Temp: <70°C Color Index: 75Ra. Rec. Replace Bulb: 150W CFL
E40 CORN CUB 6W 700Lm Aluminium		TSOLUX-6A5	111 LED's, Luminous Flux: 700 Lm. Color Temp: 2800~6500K. 6Watt, Base: E40/E27/E14 277V, Beam angle: 360° Work Temp: <70°C Color Index: 75Ra. Rec. Replace Bulb: 60W CFL
E40 CORN CUB 50W 5000Lm Aluminium		TSOLUX-50A6	250 HP LED's, Luminous Flux: 5000 Lm. Color Temp: 2800~6500K. 50Watt, Base: E40/E27/E14 277V, Beam angle: 360° Work Temp: <70°C Color Index: 75Ra. Rec. Replace Bulb: 225W CFL

The Tectonic Solux Arc E40 Corn cubs replaces Metal Halogen Lamps or High Pressure Solidum Vapour Lamp 60 to 250W

CORN CUB
12W 1200Lm
Material:
Aluminium

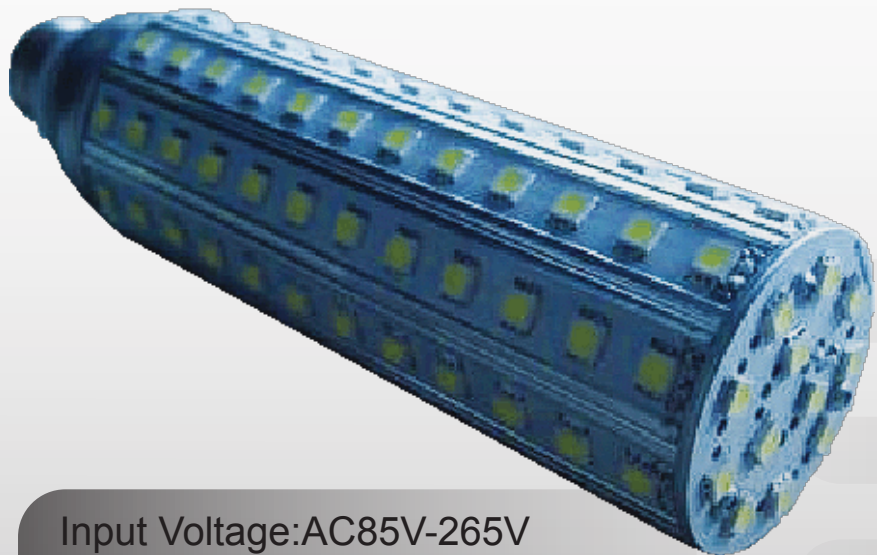
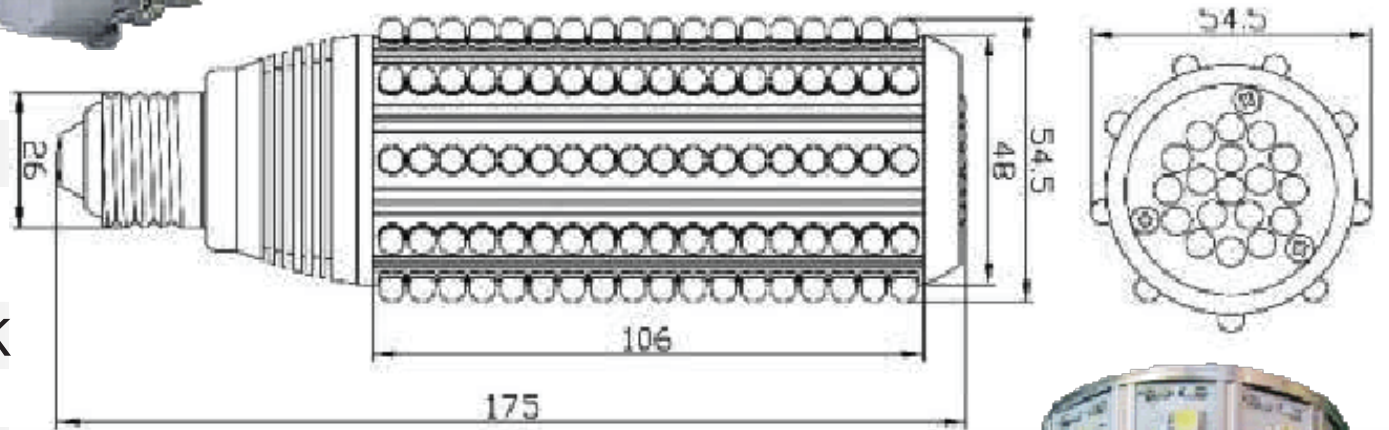


Input Voltage: AC85V-265V
 Input Frequency: 47HZ-65HZ
 Power:12W. Power Factor: ≥ 0.9

TSOLUX-12A3

LED Chip: Epistar
 Beam angle:360
 LED number:200pcs

Color Temperature: 2800-8000K
 Working Temperature: -20-70°C
 Life time: 50,000hours
 Total Harmonic Distortion:<20%
 Over current protection
 Net weight:0.28KG



Input Voltage:AC85V-265V
 Input Frequency:47HZ-65HZ
 Power:25W. Power Factor: ≥ 0.9

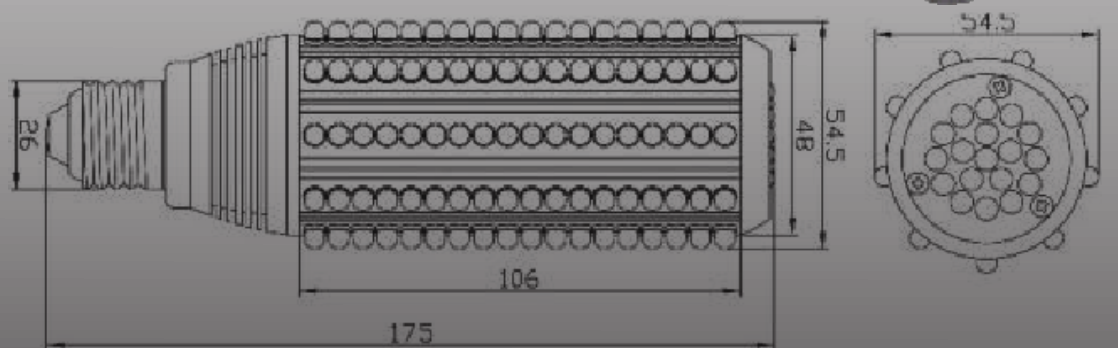
TSOLUX-25A4

LED Chip: Epistar
 Beam angle:360
 LED number:120pcs
 Color Temperature: 2800-8000K
 Working Temperature: -20-70°C
 Life time: 50,000hours
 Total Harmonic Distortion:<20%
 Over current protection
 Net weight:0.38KG

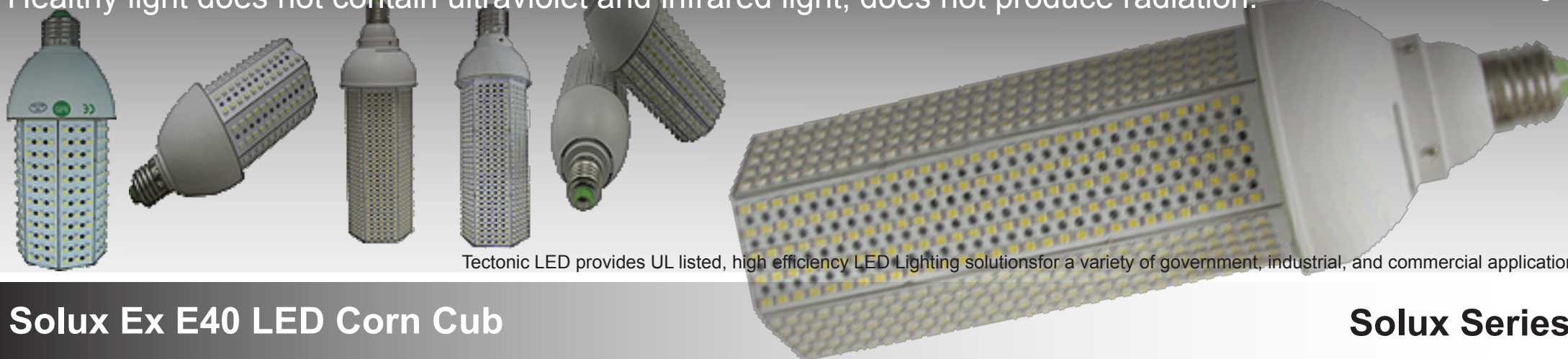
Input Voltage:AC85V-265V
 Input Frequency:47HZ-65HZ
 Power:50W. Power Factor: ≥ 0.9

TSOLUX-50A6

LED Chip: Epistar
 Beam angle:360
 LED number:250pcs
 Color Temperature: 2800-8000K
 Working Temperature: -20-70°C
 Life time: 50,000hours
 Total Harmonic Distortion:<20%
 Over current protection
 Net weight:0.82KG



- Beam Angle: 360 degree, replacement for General Incandescent, Energy-saving lamps.
- Long life: light-emitting semiconductor chip no filament, no glass bulbs, not afraid of vibration
- Healthy light does not contain ultraviolet and infrared light, does not produce radiation.



Tectonic LED provides UL listed, high efficiency LED Lighting solutions for a variety of government, industrial, and commercial applications

Solux Ex E40 LED Corn Cub

Solux Series

Product	Image	Model	Description
E40 CORN CUB 30W DIP Hexagon		TSOLUX30-ED01 (20pcs/ctn, 0.74kgs)	395 LED's, Luminous Flux: 2560 Lm. 33Watt, Base: E40/E29/E27/E26 277V, 2700 to 6700Kelvin, Beam angle: 360° Wt.:0.58kg, Temp: <70 ~ <25°C Rec.Replace Bulb: 105W CFL (12-24VDC for Solar power is available)
E40 CORN CUB 40W DIP Hexagon		TSOLUX40-ED02 (20pcs/ctn, 0.81kgs)	660 LED's, Luminous Flux: 4600 Lm. 43Watt, Base: E40/E29/E27/E26 277V, 2700 to 6700Kelvin, Beam angle: 360° Wt.:0.58kg, Temp: <70 ~ <25°C Rec.Replace Bulb: 150W CFL (12-24VDC for Solar power is available)
E40 CORN CUB 60W DIP Hexagon		TSOLUX60-ED03 (20pcs/ctn, 0.86kgs)	960 LED's, Luminous Flux: 6000 Lm. 67Watt, Base: E40/E29/E27/E26 277V, 2700 to 6700Kelvin, Beam angle: 360° Wt.:0.72kg, Temp: <70 ~ <25°C Rec.Replace Bulb: 250W CFL (12-24VDC for Solar power is available)
E40 CORN CUB 15W DIP Octagon		TSOLUX15-ED04 (20pcs/ctn, 0.33kgs)	216 LED's, Luminous Flux: 1600 Lm. 16Watt, Base: E40/E29/E27/E26 277V, 2700 to 6700Kelvin, Beam angle: 360° Wt.:0.25kg, Temp: <70 ~ <25°C Rec.Replace Bulb: 60W CFL (12-24VDC for Solar power is available)
E40 CORN CUB 20W DIP Hexagon		TSOLUX20-ED05 (20pcs/ctn, 0.51kgs)	324 LED's, Luminous Flux: 2000 Lm. 22Watt, Base: E40/E29/E27/E26 277V, 2700 to 6700Kelvin, Beam angle: 360° Wt.:0.43kg, Temp: <70 ~ <25°C Rec.Replace Bulb: 80W CFL (12-24VDC for Solar power is available)
E40 CORN CUB 30W SMD Hexagon		TSOLUX30-ES06 (20pcs/ctn, 0.49kgs)	395 LED's, Luminous Flux: 2500 Lm. 35Watt, Base: E40/E29/E27/E26 277V, 2700 to 6700Kelvin, Beam angle: 360° Wt.:0.43kg, Temp: <70 ~ <25°C Rec.Replace Bulb: 105W CFL (12-24VDC for Solar power is available)
E40 CORN CUB 40W SMD Hexagon		TSOLUX40-ES07 (20pcs/ctn, 0.54kgs)	660 LED's, Luminous Flux: 4300 Lm. 45Watt, Base: E40/E29/E27/E26 277V, 2700 to 6700Kelvin, Beam angle: 360° Wt.:0.38kg, Temp: <70 ~ <25°C Rec.Replace Bulb: 150W CFL (12-24VDC for Solar power is available)
E40 CORN CUB 60W SMD Hexagon		TSOLUX60-ES08 (20pcs/ctn, 0.56kgs)	960 LED's, Luminous Flux: 6300 Lm. 67Watt, Base: E40/E29/E27/E26 277V, 2700 to 6700Kelvin, Beam angle: 360° Wt.:0.40kg, Temp: <70 ~ <25°C Rec.Replace Bulb: 250W CFL (12-24VDC for Solar power is available)
E40 CORN CUB 15W SMD Octagon		TSOLUX15-ES09 (20pcs/ctn, 0.33kgs)	216 LED's, Luminous Flux: 1600 Lm. 17Watt, Base: E40/E39/E27/E26/B22 277V, 2700 to 6700Kelvin, Beam angle: 360° Wt.:0.72kg, Temp: <70 ~ <25°C Rec.Replace Bulb: 60W CFL (12-24VDC for Solar power is available)
E40 CORN CUB 20W SMD Octagon		TSOLUX20-ES10 (20pcs/ctn, 0.35kgs)	312 LED's, Luminous Flux: 2000 Lm. 22Watt, Base: E40/E27/E26 277V, 2700 to 6700Kelvin, Beam angle: 360° Wt.:0.25kg, Temp: <70 ~ <25°C Rec.Replace Bulb: 80W CFL (12-24VDC for Solar power is available)
E40 CORN CUB 20W DIP Octagon		TSOLUX20-ED11 (20pcs/ctn, 0.38kgs)	312 LED's, Luminous Flux: 2000 Lm. 22Watt, Base: E40/E29/E27/E26 277V, 2700 to 6700Kelvin, Beam angle: 360° Wt.:0.3kg, Temp: <70 ~ <25°C Rec.Replace Bulb: 80W CFL (12-24VDC for Solar power is available)